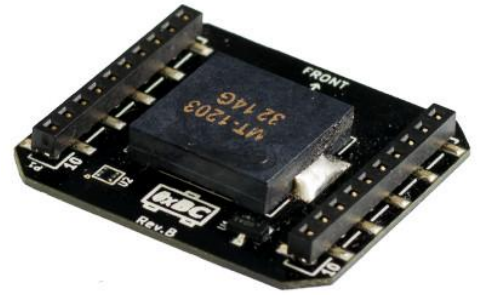


Sometimes LED feedback isn't enough, like when you're flying around in a lab or a living room. With the buzzer deck you'll get audio feedback on system events, like low battery or charging completed. Or why not create your own melodies that will play while you're buzzing around?



1. Introduction

To get started using the buzzer deck there's already a few melodies/effects pre-programmed in the Crazyflie 2.X firmware.

2. Features

- Low profile piezo buzzer for tone and melody generation
- Automatic detection of deck via 1-wire memory

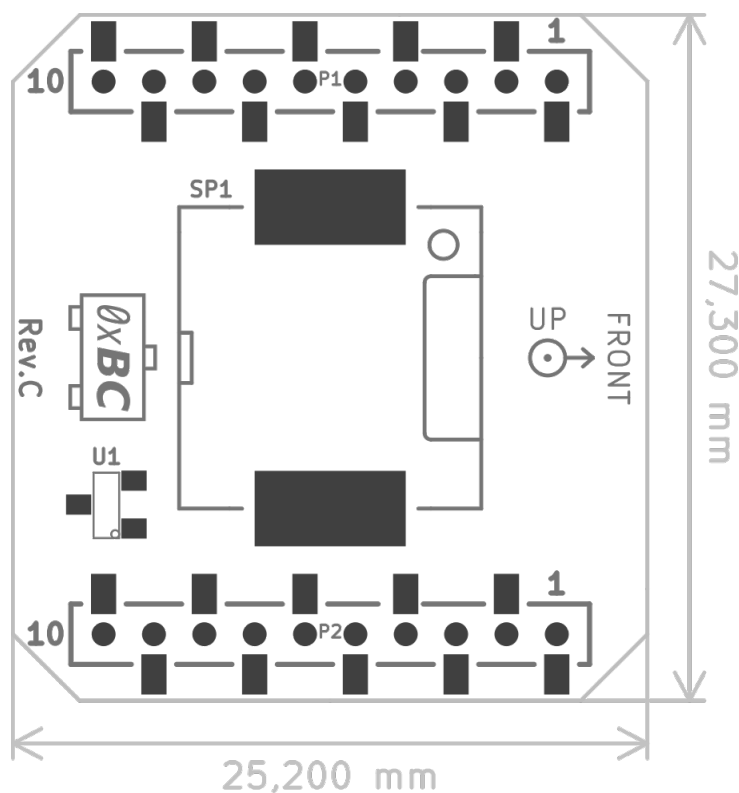
3. Electrical specification

- Based on [CMT-1203-SMT](#)

4. Mechanical specifications

- Weight: 1.8g
- Size (WxHxD): 25x27x4mm
- Designed for mounting above or under the Crazyflie 2.X

5. Mechanical drawing



6. Package contents

- 1 x Buzzer deck

7. Errata

8. Hardware revisions

Revision	Comment
C	Initial release

9. History

Version	Comment	Date
1	Initial release	2020-04-02