

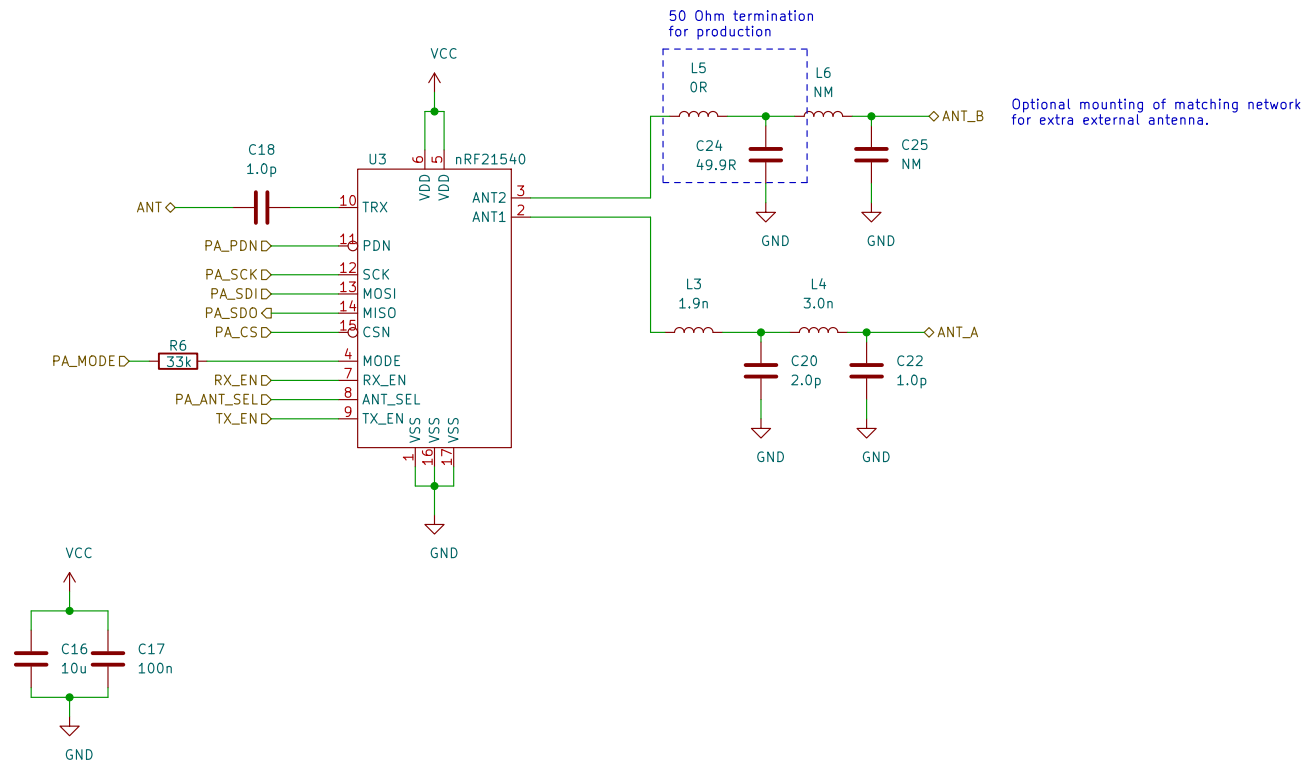
Bitcraze AB

Sheet: /MCU/
File: mcu.kicad_sch

Title: Crazyradio 2.0

Size: A4 Date: 2022-11-09
KiCad E.D.A. kicad 6.0.10-86aedd382b-118-ubuntu22.04.1

Rev: E
Id: 2/3



Bitcraze AB

Sheet: /RF/
File: rf.kicad_sch

Title: Crazyradio 2.0

Size: A4 Date: 2022-09-13
KiCad E.D.A. kicad 6.0.10-86aedd382b-118-ubuntu22.04.1

Rev: E
Id: 3/3